



DEEP CYCLE
SERIES: 5000
MODEL: 6 CS 17P

BATTERY ENGINEERING
WWW.ROLLSBATTERY.COM MADE IN CANADA

BATTERY TYPE: 6 VOLTS

DIMENSIONS:

LENGTH 559 MM 22 INCHES
WIDTH 210 MM 8 1/4 INCHES
HEIGHT 464 MM 18 1/4 INCHES

WEIGHTS:

WEIGHT DRY 81 KG 178 LBS.
WEIGHT WET 100 KG 221 LBS.

CONTAINER CONSTRUCTION:

CONTAINER: (INNER) POLYPROPYLENE **TERMINALS:** FLAG WITH STAINLESS STEEL NUTS AND BOLTS
COVER: (INNER) POLYPROPYLENE - HEAT SEALED TO INNER CONTAINER
CONTAINER: (OUTER) HIGH DENSITY POLYETHYLENE **HANDLES:** MOLDED
COVER: (OUTER) HIGH DENSITY POLYETHYLENE SNAP FIT TO OUTER CONTAINER

PLATES:

POSITIVE PLATE DIMENSION:
HEIGHT 273 MM 10.750 INCHES
WIDTH 143 MM 5.625 INCHES
THICKNESS 6.73 MM 0.265 INCHES

NEGATIVE PLATE DIMENSION:
HEIGHT 273 MM 10.750 INCHES
WIDTH 143 MM 5.625 INCHES
THICKNESS 4.70 MM 0.185 INCHES

CELLS: 3 **PLATES/CELL:** 17

POSITIVE PLATE ENVELOPED BY VERTICAL SLYVER GLASS MAT

SEPARATOR:
THICKNESS 3 MM 0.105 INCHES

INSULATION:
GLASS MAT 1 MM 0.020 INCHES

CAPACITY:

CRANK AMPS:
COLD (CCA) 0°F / -17.8°C 1357
MARINE (MCA) 32°F / 0°C 1696

ELECTROLYTE RESERVE:
ABOVE PLATES 76 MM 3 INCHES

RESERVE CAPACITY:
RC @ 25A 1083 MINUTES

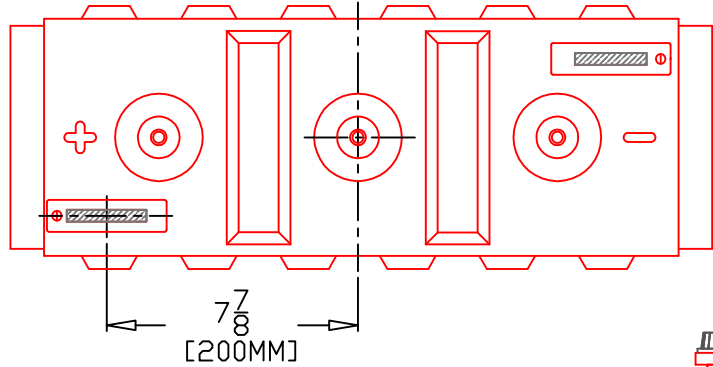
20 HR RATE: 546

	HOURLY RATE	SPECIFIC GRAVITY	CAP / AH	CURRENT / AMPS
CAPACITY @	100 HOUR RATE	1.280 SP. GR.	770	7.70
CAPACITY @	72 HOUR RATE	1.280 SP. GR.	726	10.09
CAPACITY @	50 HOUR RATE	1.280 SP. GR.	672	13.43
CAPACITY @	24 HOUR RATE	1.280 SP. GR.	568	23.7
CAPACITY @	20 HOUR RATE	1.280 SP. GR.	546	27.3
CAPACITY @	15 HOUR RATE	1.280 SP. GR.	508	33.9
CAPACITY @	12 HOUR RATE	1.280 SP. GR.	475	39.6
CAPACITY @	10 HOUR RATE	1.280 SP. GR.	453	45.3
CAPACITY @	8 HOUR RATE	1.280 SP. GR.	426	53.2
CAPACITY @	6 HOUR RATE	1.280 SP. GR.	388	64.6
CAPACITY @	5 HOUR RATE	1.280 SP. GR.	366	73
CAPACITY @	4 HOUR RATE	1.280 SP. GR.	339	85
CAPACITY @	3 HOUR RATE	1.280 SP. GR.	306	102
CAPACITY @	2 HOUR RATE	1.280 SP. GR.	262	131
CAPACITY @	1 HOUR RATE	1.280 SP. GR.	186	186

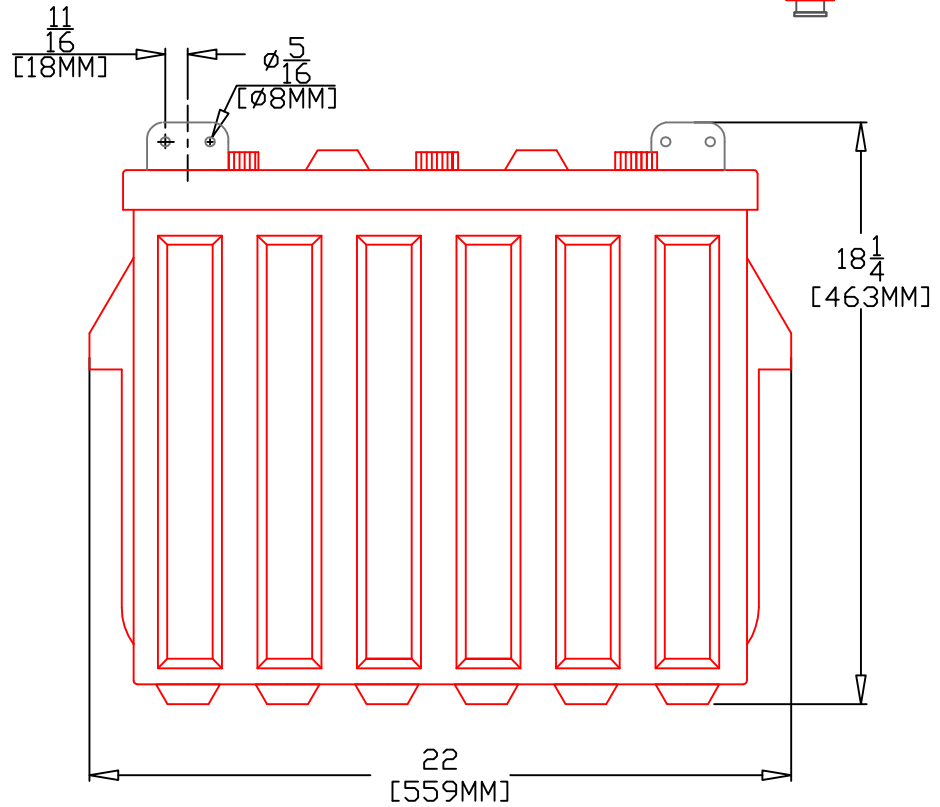
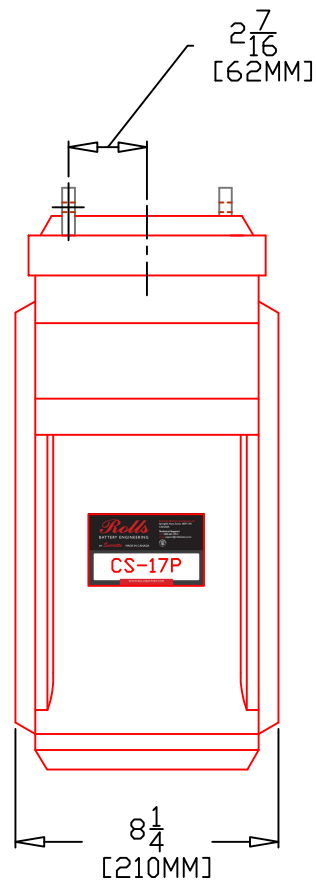


1 STATION RD SPRINGHILL, NOVA SCOTIA CANADA B0M 1X0 1.800.681.9914

REV.2
 Jan-10
 6 CS 17P



PART NUMBER: 6-CS-17P
 WEIGHT WET: 221 LB / 100 KG
 WEIGHT DRY: 178 LB / 81 KG
 CAPACITY: 546 AH 20 HR
 VOLTAGE: 6 V
 OVERALL DIMENSIONS: 22" X 8 1/4" X 18 1/4"
 MAX HEIGHT WITH OPTIONAL HYDROCAPS: 18 5/8" - 473 MM



TITLE:	6CS17P
DESCRIPTION:	6V / 3 CELL 17 PLATE (CS) DEEP CYCLE
CONTACT INFO:	WEB: WWW.ROLLSBATTERY.COM E-MAIL: SALES@ROLLSBATTERY.COM PHONE: 1-800-681-9914
SCALE:	1" = 6" 1" = 4" JPEG 8.5" X 11" 11" X 17" NOT TO SCALE
Drawn by:	Approved By:
S. WILES	D. SURRETTE
DATE:	REVISION
JAN-2010	2.0
DRAWING NO.:	DWG 005, BD6CS17P