

Smart Battery Combiner (ME-SBC)



The Magnum Energy Smart Battery Combiner (ME-SBC) is an easy-to-use stand alone battery combiner and isolator for 12 and 24 VDC systems. Apply a single charging source to the main battery bank and the ME-SBC charges a second battery bank using a portion of the current. With adjustable voltage ranges, including automatic on/off setpoints, the ME-SBC prevents under- or over-charging.

MODEL NUMBER

- ME-SBC

AVAILABLE FOR

- Renewable Energy Systems
Off-grid Power
Back-up Power
- Marine Systems
- RV Systems

WORKS WITH

- ME Series
- MS Series

The ME-SBC also works as a stand-alone unit.

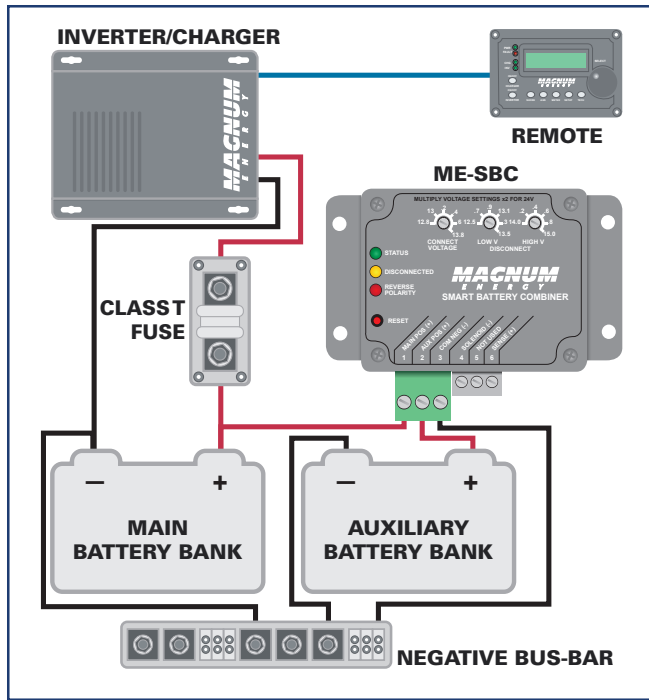
The Front Panel Includes:

- LED indicators showing status and operation.
- Three adjustable voltage dials to set the “Connect Voltage”, “Low V Disconnect”, and “High V Disconnect.”
- An oversized power terminal block allowing for easy wire connections even if the wires are large.
- An accessories terminal block to add a solenoid or a separate voltage sense line.
- A reset switch.

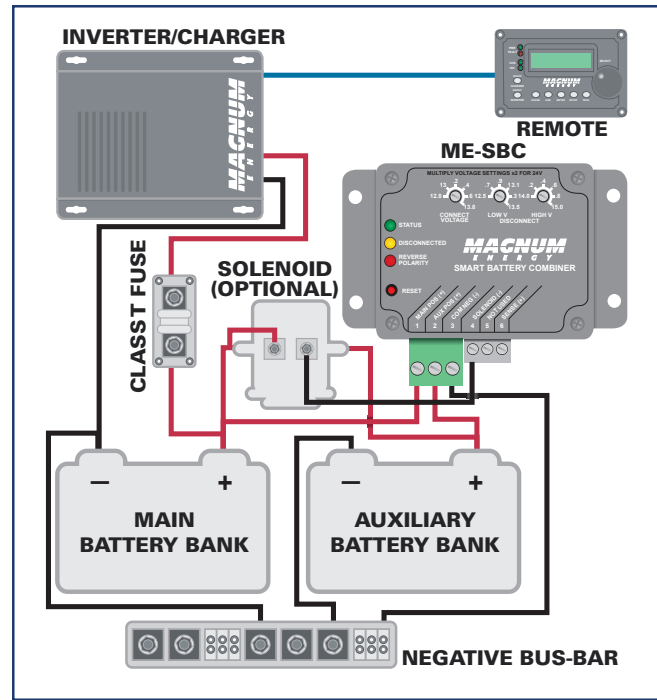
Features:

- Voltage auto-detect feature recognizing 12 or 24 VDC.
- Transfers up to 25 amps.
- Solenoid drive for requirements greater than 25 amps.
- Over-temperature and over-current shutdown.
- Adjustable voltage settings with a wide range allows for charging flexibility.
- Bi-directional charging.
- Reverse polarity protection.
- Sense lead for long-run applications.

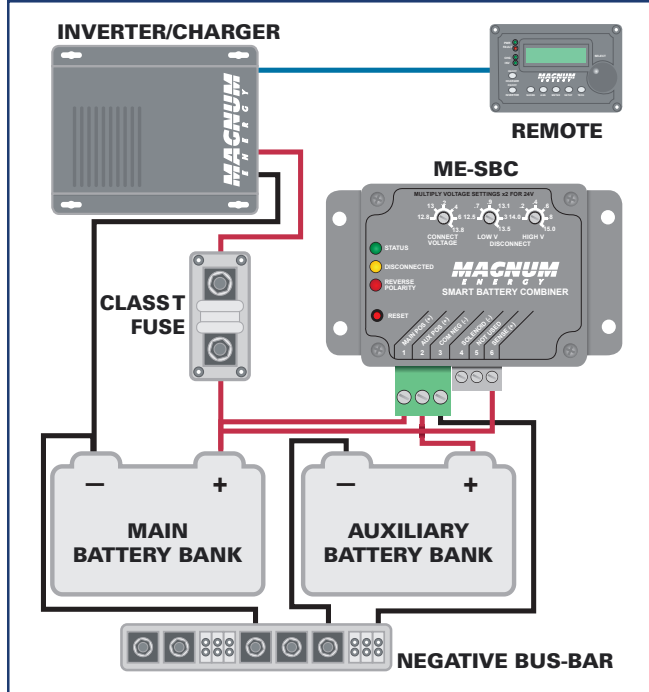
ME-SBC Basic Configuration Diagrams



25 amp Combiner Mode



Solenoid Drive



Remote Voltage Sense

ME-SBC Specifications

ME-SBC

| | |
|---------------------------------|--|
| DC volts | 12 or 24 VDC nominal |
| DC amps | 25 amps continuous |
| Maximum VDC | 40 volts peak |
| Average operating tare loss | ~150 mW |
| Maximum operating tare loss | < 220 mW |
| Non-operating tare loss | < 50 mW |
| Operating range | 0 - 32 VDC |
| Shipping weight | 2 lbs (0.9 kg) |
| Shipping dimensions (l x w x h) | 6" x 9" x 2.5" (15.2 x 22.9 x 6.4 cm) |
| Unit dimensions (l x w x h) | 4.2" x 5.4" x 1.4" (10.7 x 13.7 x 3.6 cm) |
| Maximum operating temperature | -40° F to +185° F (-40° C to + 85° C) |
| Maximum storage temperature | -40° F to +194° F (-40° C to + 90° C) |

Magnum Energy, Inc.
2211 West Casino Road
Everett, Washington 98204 USA

Phone: 425-353-8833
Fax: 425-353-8390
Web: www.magnumenergy.com

Testing for specifications at 25° C
Specifications subject to change without notice.

January 2012, Rev B

Part #64-0600

Authorized Magnum Dealer