



Length 26.77 in (680 mm)
Width 26.77 in (680 mm)
Height 1.34 in (34 mm)
Frame Aluminum
Weight 5.6 kg



Sunmodule®

SW 50 poly RMA

World class quality

SolarWorld produces the best products with the highest quality, manufactured according to German and US quality standards in fully-automated ISO 9001 and 14001 certified factories.

Outstanding products

SolarWorld's modules were assessed by the ÖKO-TEST consumer magazine as "excellent".

An experienced industry leader

With over 30 years of experience in off-grid solar applications – SolarWorld delivers top products and technical experience at the highest levels. Our modules are installed in over 100,000 Telecom/Industrial systems worldwide. Nobody else comes close.



PERFORMANCE UNDER STANDARD TEST CONDITIONS (STC)*

		SW 50
Maximum power	P_{max}	50 Wp
Open circuit voltage	U_{oc}	22.1 V
Maximum power point voltage	U_{mpp}	18.2 V
Short circuit current	I_{sc}	2.95 A
Maximum power point current	I_{mpp}	2.75 A

*STC: 1000W/m², 25°C, AM 1.5

PERFORMANCE AT 800 W/m², NOCT, AM 1.5

		SW 50
Maximum power	P_{max}	35.9 Wp
Open circuit voltage	U_{oc}	19.8 V
Maximum power point voltage	U_{mpp}	16.3 V
Short circuit current	I_{sc}	2.38 A
Maximum power point current	I_{mpp}	2.20 A

Minor reduction in efficiency under partial load conditions at 25°C: at 200W/m², 95% (+/-3%) of the STC efficiency (1000 W/m²) is achieved.

COMPONENT MATERIALS

Cells per module		36
Cell type		Poly crystalline
Cell dimensions		2.44 in x 6.14 in (62 mm x 156 mm)
Front		tempered glass (EN 12150)

SYSTEM INTEGRATION PARAMETERS

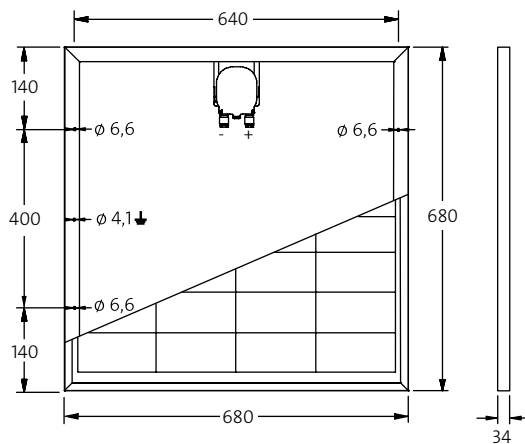
Maximum system voltage SC II		1000 V
Maximum reverse current		12 A
Increased snowload acc. to IEC 61215		5.4 kN/m ²
Number of bypass diodes		2

THERMAL CHARACTERISTICS

NOCT		46 °C
TC I_{sc}		0.034 %/K
TC U_{oc}		-0.34 %/K
TC P_{mpp}		-0.48 %/K

ADDITIONAL DATA

Power tolerance		+/- 10 %
Junction box		IP65
Maximum outer cable diameter		0.31 in (7.8 mm)
Maximum wire cross section		4 mm ²



- Qualified, IEC 61215
- Safety tested, IEC 61730
- Periodic Inspection

