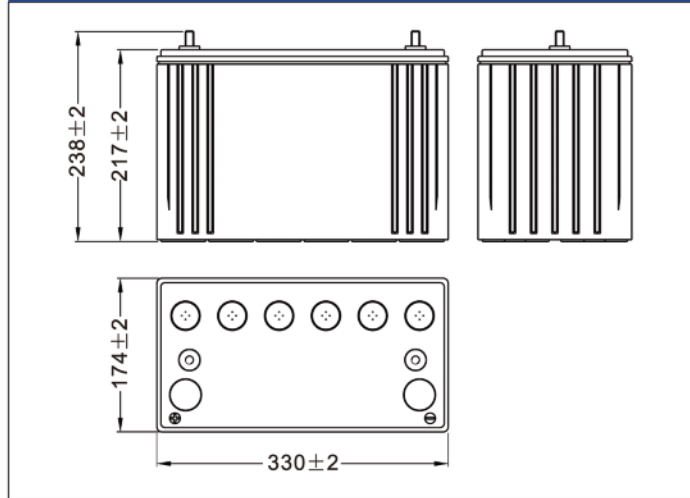




# US AGM31

www.USBATTERY.COM

## Dimensions (mm)



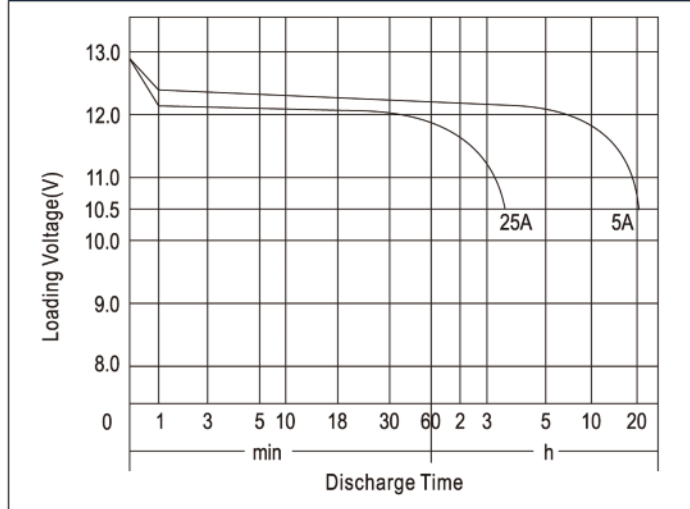
## Physical Specification (mm)

Nominal Voltage		12V
Nominal Capacity(20HR)		100Ah
Dimension	Length	330±2mm(13.00inches)
	Width	174±2mm(6.85inches)
	Container Height	217±2mm(8.54inches)
	Total Height(with Terminal)	238±2mm(9.37inches)
Weight		Approx 31.1Kg(68.5lbs)
Acid		1.310±0.015g/cm <sup>3</sup> (25°C)
Standard Terminal		STUD
Cell layout		A
Hold-Down		/
Cell plate qty		/
Case		Gold
Cover		Gold
Handle		
QTY/PLT/layer		

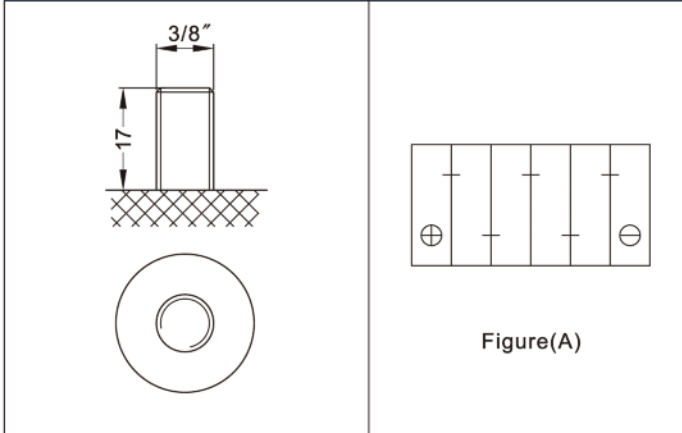
## Electrical Specification

Rated Capacity	20 hour rate(5A)	100Ah
Reserve Capacity		190min
Cold Cranking Performance Amps@0°F(-18°C)		800A

## Discharge Characteristics(25°C,70°F)



## Standard Terminal (mm)      Cell Layout



## Discharge Characteristics(-18°C,0°F)

